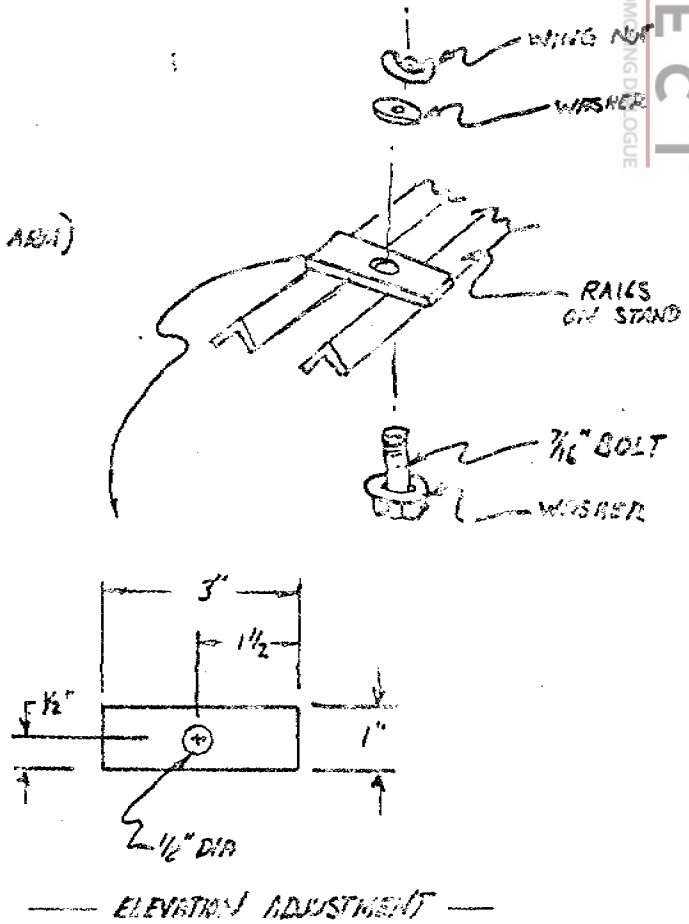
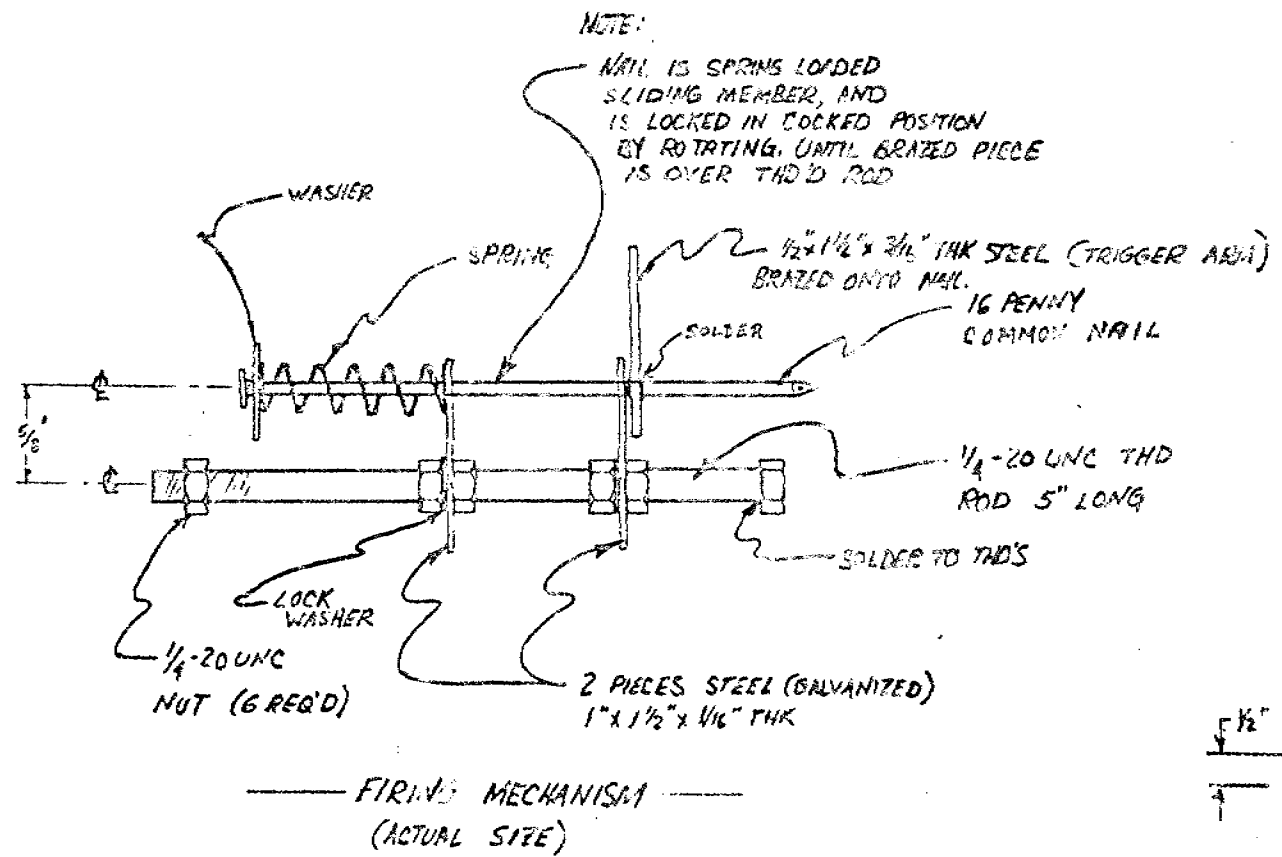


IV

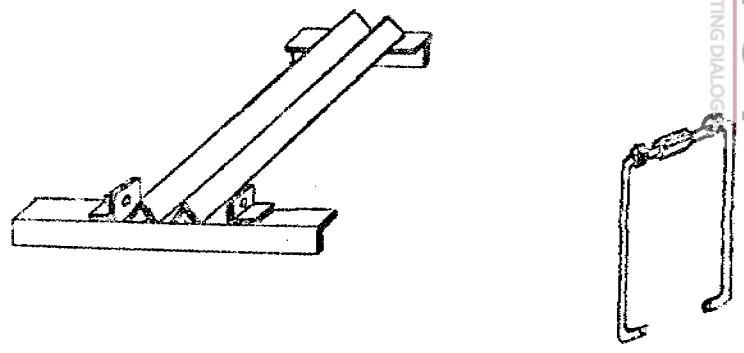
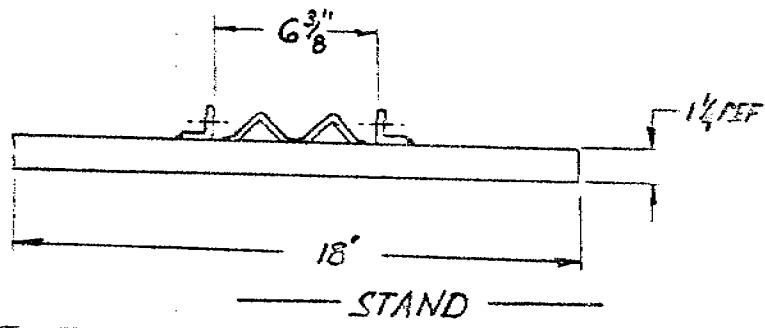
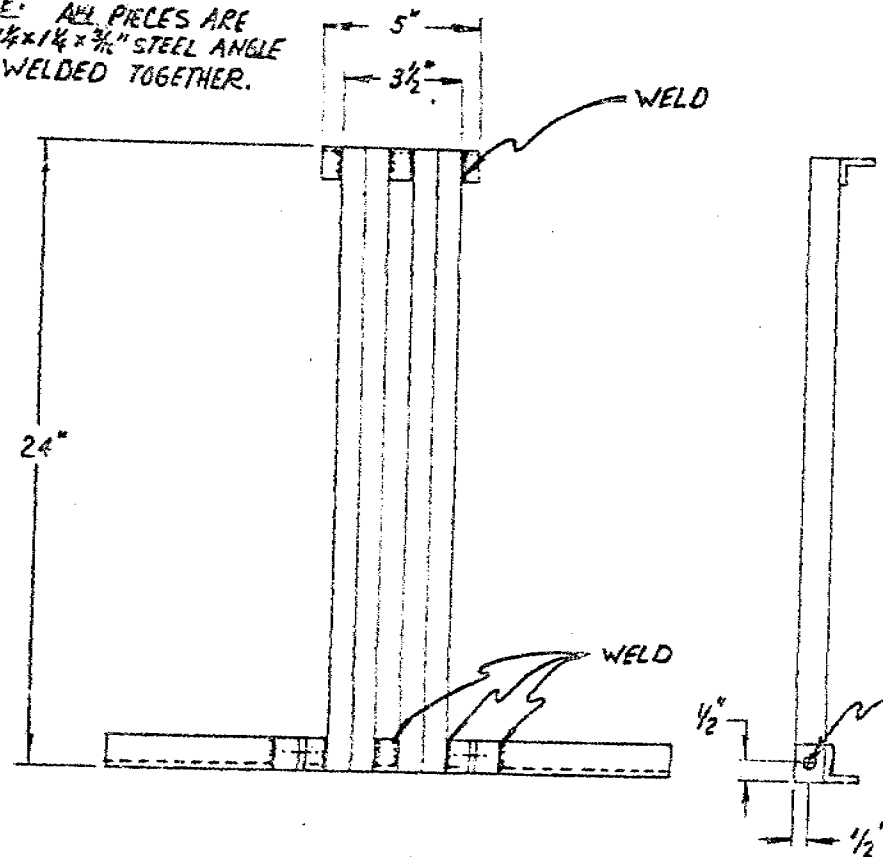


NOTE: FOR PROPER OPERATION CLEAN BARREL, PLUG & NIPPLE, WITH BLACK POWDER SOLVENT. FOLLOWING STANDARD BLACK POWDER MAINTENANCE SCHEDULES. LUBRICATE FIRING MECHANISM WHEN REQ'D.

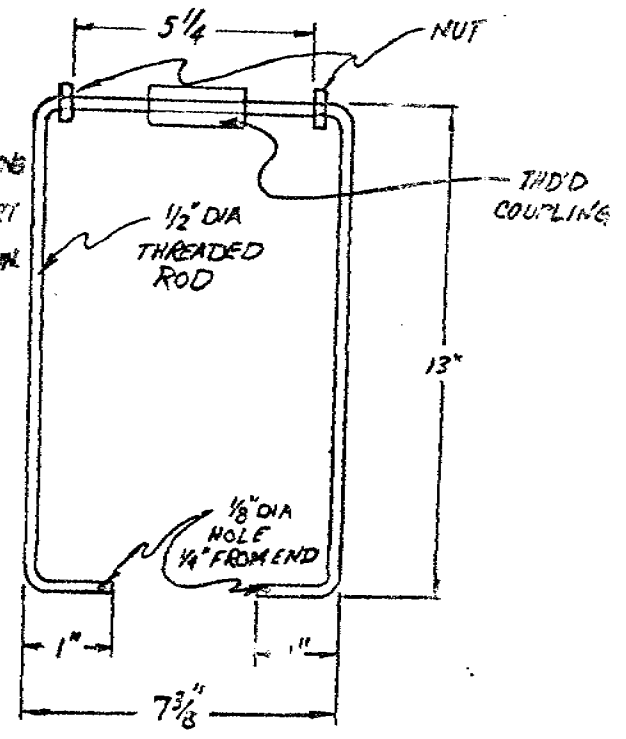
IF DESIRED PRINT ALL PIECES, EXCEPT FIRING MECHANISM WITH A RUST PREVENTIVE ENAMEL.

WE ASSUME NO RESPONSIBILITY FOR THE IMPROPER USE OF THE FOLLOWING INFORMATION—Check your local laws before firing any explosive device.

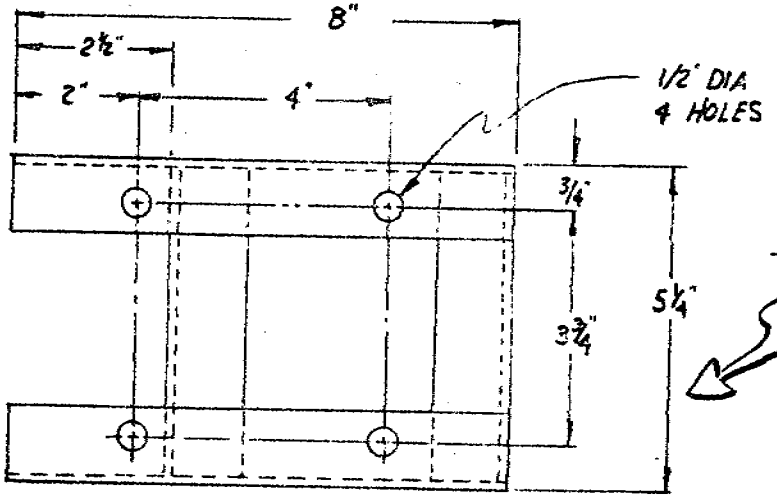
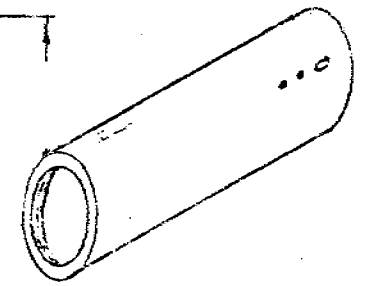
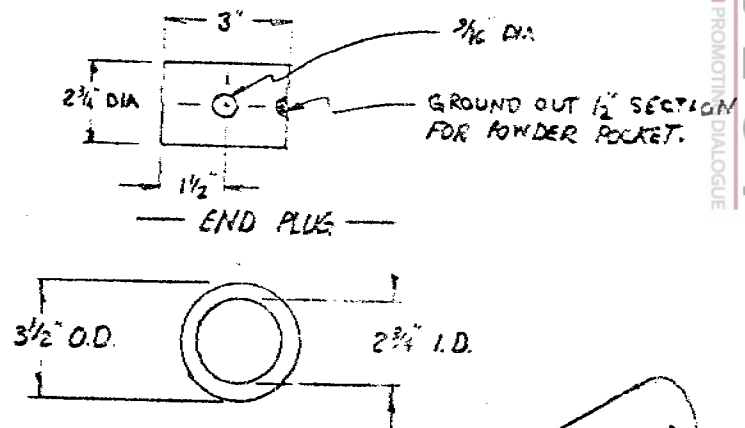
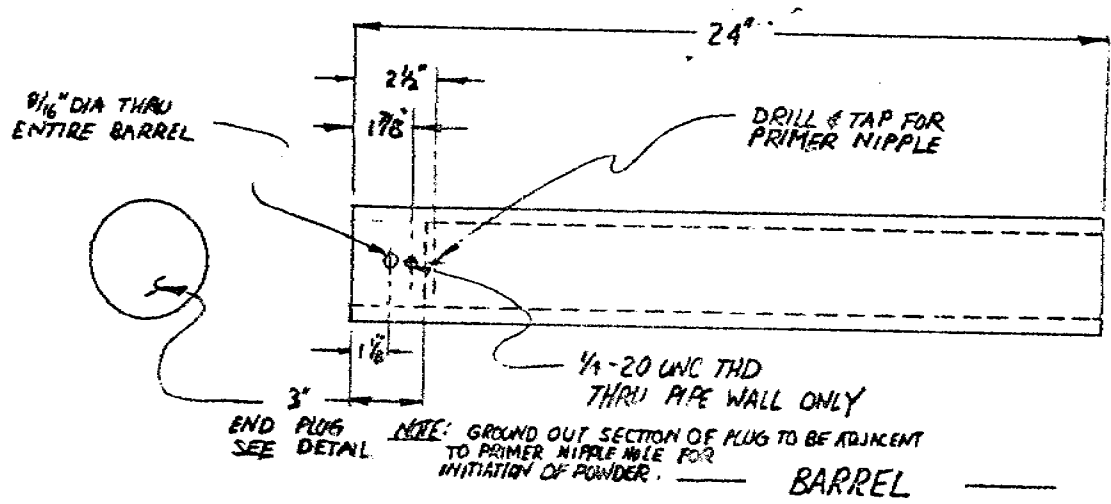
NOTE: ALL PIECES ARE 1 1/4 x 1/4 x 3/8" STEEL ANGLE WELDED TOGETHER.



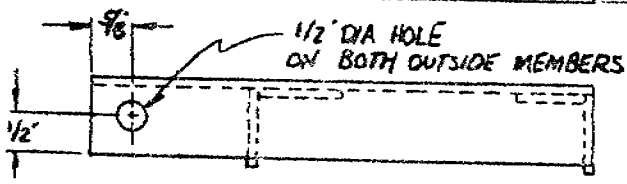
NOTE: BEFORE BENDING ROD LOCATE IN BARREL SUPPORT PIECE & LOCATE 2 NUTS AS SHOWN (SEE ASSY DWG)



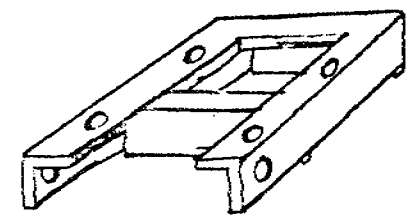
WE ASSUME NO RESPONSIBILITY FOR THE IMPROPER USE OF THE FOLLOWING INFORMATION  
 Check your local laws before firing any explosive device.



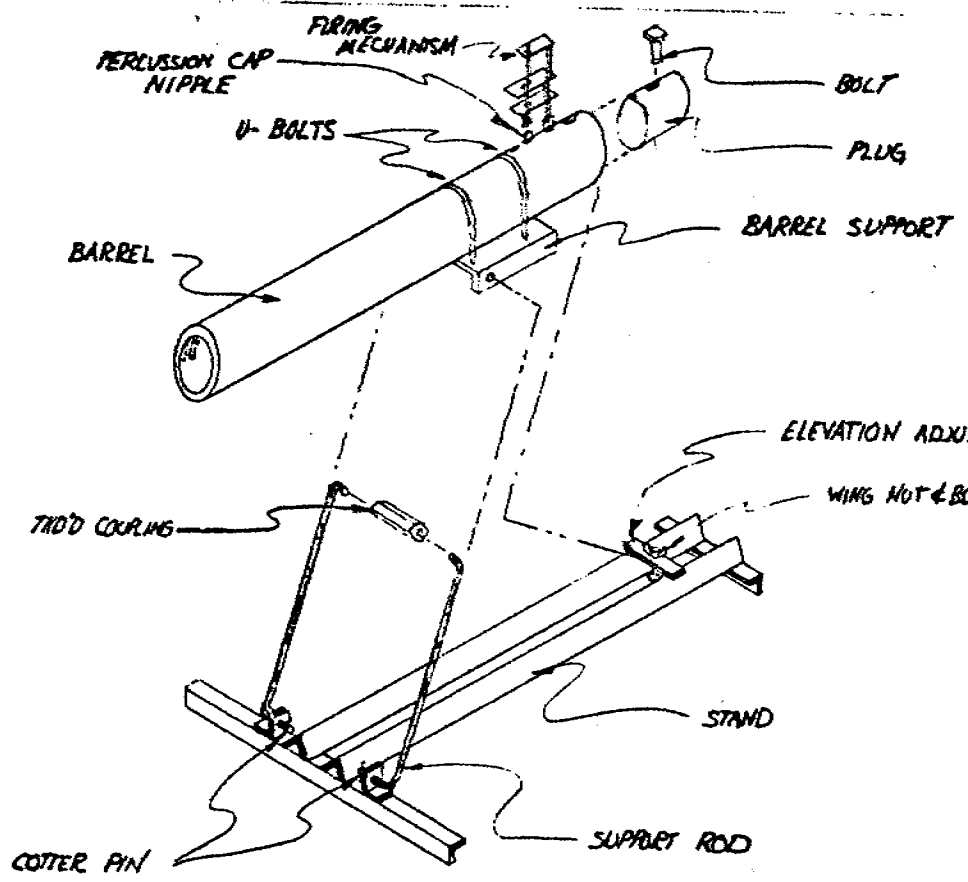
NOTE: MAKE FROM  $1\frac{1}{4}$ "x $1\frac{1}{4}$ "x $3/16$ " STEEL ANGLE, WELD CENTER & END MEMBERS TO SIDE MEMBERS.



**BARREL SUPPORT**



WE ASSUME NO RESPONSIBILITY FOR THE IMPROPER USE OF THE FOLLOWING INFORMATION. Check your local laws before firing any explosive device.



**INTRODUCTION-PLEASE READ CAREFULLY**

Your mortar if constructed and used properly will supply hours of relatively safe entertainment and enjoyment. It is a black powder percussion cap device, consequently legal in most areas. It's maximum range can be well over 500 yards using common beer cans or soda cans filled with sand or gravel as projectiles. (See section on construction of impact and bursting charges) It is easily adjusted for range and can be conveniently handled by one man. It is cheap to operate using only 500 grains of FFGC black powder per average load. Many clubs have adopted mortar firing as a contest type sport for accuracy and range.

**MATERIALS** (small arc welder required)

- \* 1. Barrel-2.75" ID X 3.50 OD X .375 wall X 24" cold drawn seamless mechanical tubing.
2. Plug-2.75" X 3" low carbon round bar. \*
3. Angle Iron- 1 1/4" X 1 1/4" X 3/16" approximately 9' required and fabbed per drawings.
4. Support Rods- 1/2" galvanized threaded rod approximately 1.5' required
5. (2) 3 3/4" U bolts, nuts and washers, galvanized.
6. Threaded coupling hex 1/2" X 1 1/2" galvanized.
7. 4" X 1/2" Bolt, nut & washer. For pinning plug into barrel.
8. (4) 1/2" hex nuts galvanized for plug, pinbolt and support rods.
9. Standard black powder primer nipple for 10, 11 or 12 percussion caps.
10. 1/2"-20 Threaded rod 5" long.
11. (6) 1/2"-20 hex nuts & washers for firing mechanism
12. Spring for firing mechanism (medium compression)
13. (2) Firing pin guides 1 X 1 1/2" X 1/16" Fabbed per drawing

Note- Due to the variances in machining accuracy, primer nipple types etc., careful attention must be given to the positioning of nipple in respect to ground out powder pocket section of plug. This is fairly critical for positive firing. Your mortar can also be fused fired by using the nipple hole for a conventional fuse.

\* Barrel and Plug can be purchased from Information Unlimited.

WE ASSUME NO RESPONSIBILITY FOR THE IMPROPER USE OF THE FOLLOWING INFORMATION. Check your local laws before firing or discharging any explosive device.

Mortar Barrel and Plug machined cut to length. Price \$45. FOB Nashua, N.H.  
Order from  
Box 36, Nashua, N.H. 03060

**TO LOAD MORTAR**

1. Select a level spot with a clear view down range of 400 yards or more.
2. Set barrel at approximately 90° and load in 200 grains of FFGC black powder.
3. Drop in beer can filled with sand or gravel (NOTE- tape or wedge cover with flat rock or stick to keep sand in can during flight.
4. Set elevation required and cock firing device.
5. Place either a 10, 11 or 12 percussion cap on nipple and rotate trigger arm until spring loaded nail strikes percussion cap, firing device.
6. It may take a few rounds to achieve the full effect of the device and to start handling heavier loads.

PIONEER IND. DIVISION OF BOB RICH INC.  
BOX 36  
NASHUA, N. H. 03060

PIONEER IND. DIVISION OF BOB RICH INC.  
BOX 36  
NASHUA, N. H. 03060